



# Trimble Zephyr 3 Rover Antenna

PRECISE AND DURABLE WITH MILLIMETER ACCURACY

The top of the range Trimble® Zephyr™ Rover antennas contain advanced technology for multipath reduction, outstanding low elevation satellite tracking and millimeter phase center stability.

## COMPREHENSIVE GNSS SUPPORT

The Trimble Zephyr 3 rover antenna offers full support for current and near-future GNSS signals including GPS, GLONASS, Galileo, BeiDou, QZSS, IRNSS, OmniSTAR, Trimble RTX and SBAS.

## TRIMBLE ZEPHYR 3 ROVER

The Trimble Zephyr 3 Rover is a high performing lightweight GNSS rover antenna optimized for precision RTK and roving applications. It minimizes multipath and offers robust low elevation tracking and millimeter phase center repeatability.

### Key Features of the Zephyr 3 Rover:

- Additional Iridium filtering above 1616 MHz allows antenna to be used as close as 20 m of Iridium transmitter
- Additional filtering below 1510 MHz allows for antenna placement closer to Japanese LTE cell tower
- Advanced LNA (low noise amplifier) to reduce interference by high power out-of-band transmitters
- 50 dB signal gain for reliable tracking in challenging environments and long cable runs

## Key Features

- ▶ Comprehensive GNSS support, including GPS Modernization signals, GLONASS, BeiDou and Galileo
- ▶ Robust low-elevation satellite tracking
- ▶ Minimized multipath
- ▶ Millimeter phase center repeatability
- ▶ Additional Iridium and Japanese LTE filtering
- ▶ High signal gain (50 dB) for reliable tracking
- ▶ 5/8" - 11 stainless steel mounts



# Trimble Zephyr 3 Rover Antenna

## TECHNICAL SPECIFICATIONS

- Comprehensive GNSS Tracking:
  - GPS: L1, L2, L5
  - GLONASS: L1, L2, L3
  - BeiDou: B1, B2, B3
  - Galileo: E1, E5a, E5b, E6
  - QZSS: L1, L2, L5, LEX
  - IRNSS: L5
  - SBAS: WAAS, EGNOS, GAGAN, and MSAS
  - MSS: OmniSTAR, Trimble RTX
- Quality signal tracking, even at low elevations
- Four point antenna feed for phase center stability and enhanced polarization
- Powered by GNSS receiver via coaxial cable

## ENVIRONMENTAL QUALIFICATIONS

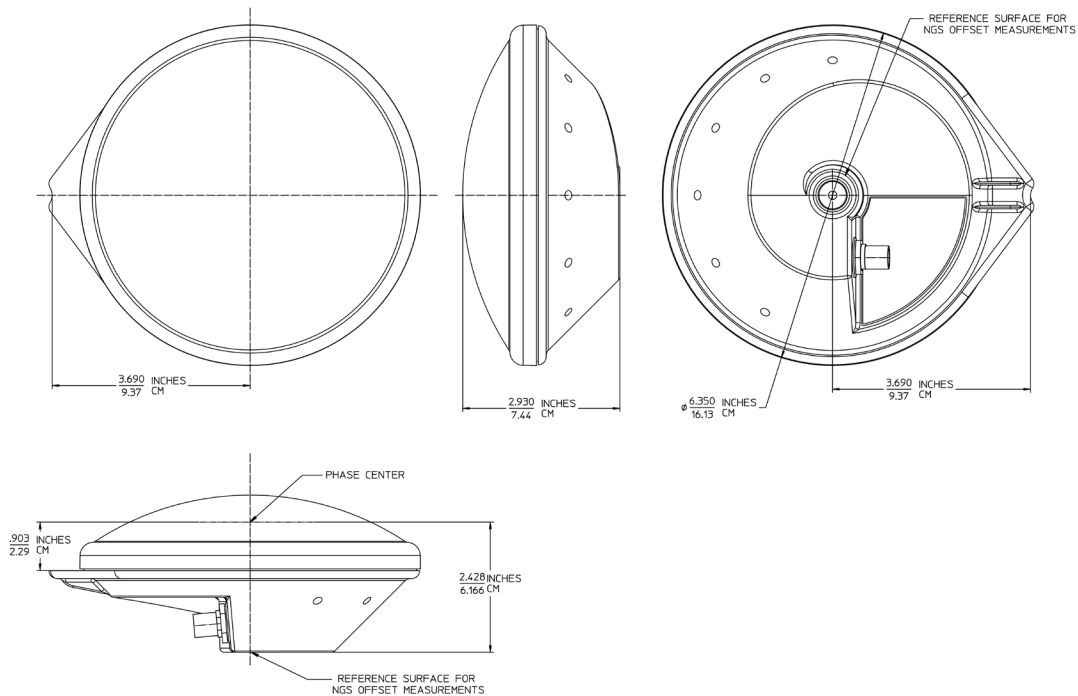
Operating Temperature . . . -40 °C to +85 °C (-40 °F to +185 °F)  
 Humidity . . . . . 100% humidity proof, fully sealed, IP67  
 Shock and Vibration  
 Tested and meets the following environmental standards:  
 Shock: MIL-STD-810-F to survive a 2 m (6.56 ft) drop onto concrete  
 Vibration: . . . . . MIL-STD-810-F on each axis  
 Compliance . . . . . CE compliant including ISO 13766:2006, 2014/45/EU (RED), EN 60950, E-Mark and RoHS, FCC, IC and RCM compliant

## PHYSICAL AND ELECTRICAL SPECIFICATIONS

Dimensions . . . . . 16.5 cm diameter x 7.6 cm height (6.5 in diameter x 3 in height)  
 Weight . . . . . 0.64 kg (1.4 lb)  
 Input Voltage . . . . . 3.5 V DC to 20 V DC  
 MSS Narrow Band Mode (1555 to 1559 MHz):  
 >6.4 V DC to 9 V DC  
 MSS Wide Band Mode (1525 to 1559 MHz):  
 3.5 V DC to 6.0 V DC and 9.4 V DC to 20 V DC  
 Input Current . . . . . 125 mA  
 Signal Gain . . . . . 50 dB  
 Signal Connector . . . . . TNC Female  
 Mounting . . . . . .5/8" - 11 Female Thread

## PART NUMBERS

105000-50-INT . . . . . Zephyr Model 3 Rover Antenna  
 Specifications subject to change without notice



Contact your local dealer today

TRIMBLE  
 Integrated Technologies  
 510 DeGuigne Drive  
 Sunnyvale, CA 94085  
 Americas & Asia-Pacific  
 Europe/EMEA

Email: sales-intech@trimble.com

© 2019, Trimble Navigation Limited. All rights reserved. Trimble logo are trademarks of Trimble, registered in the United States and in other countries. All other trademarks are the property of their respective owners. (01/19)